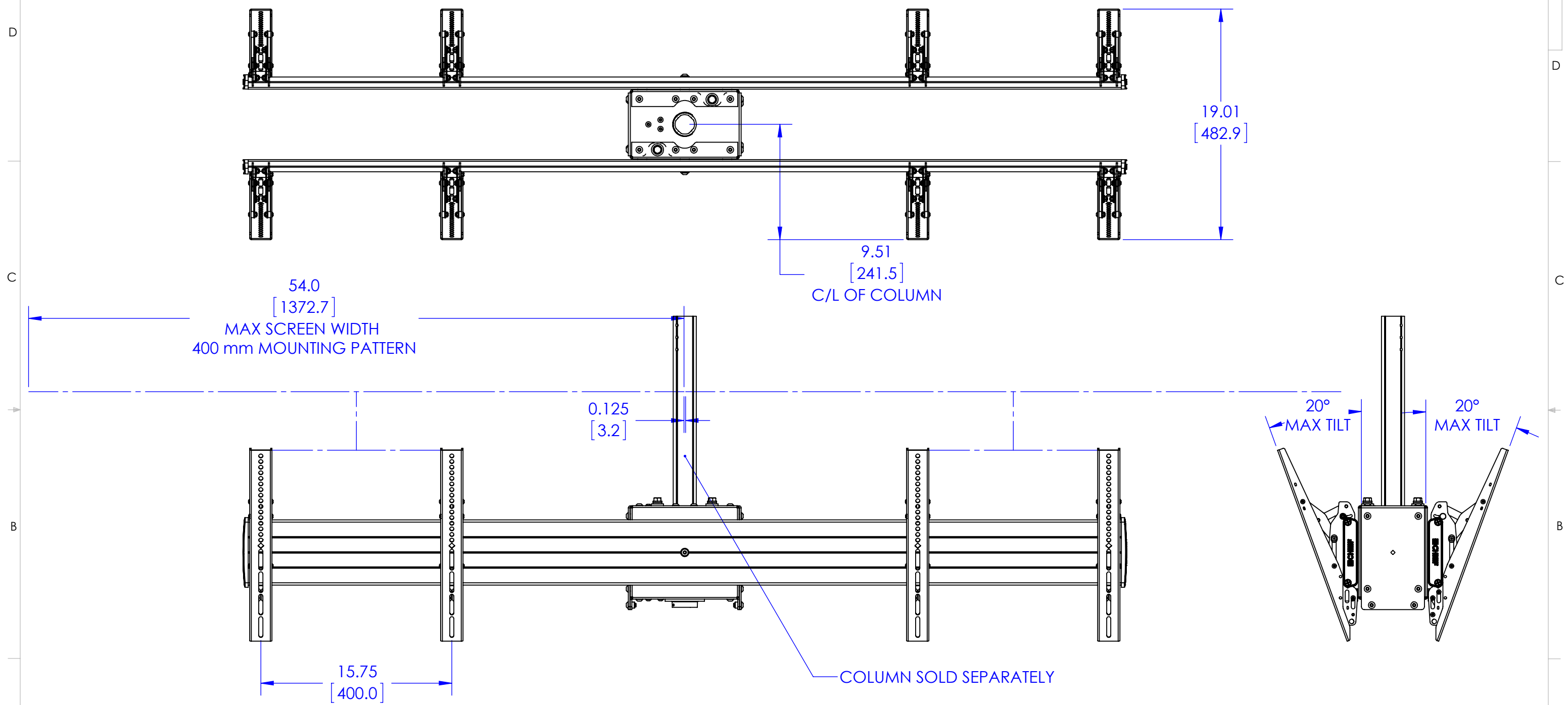


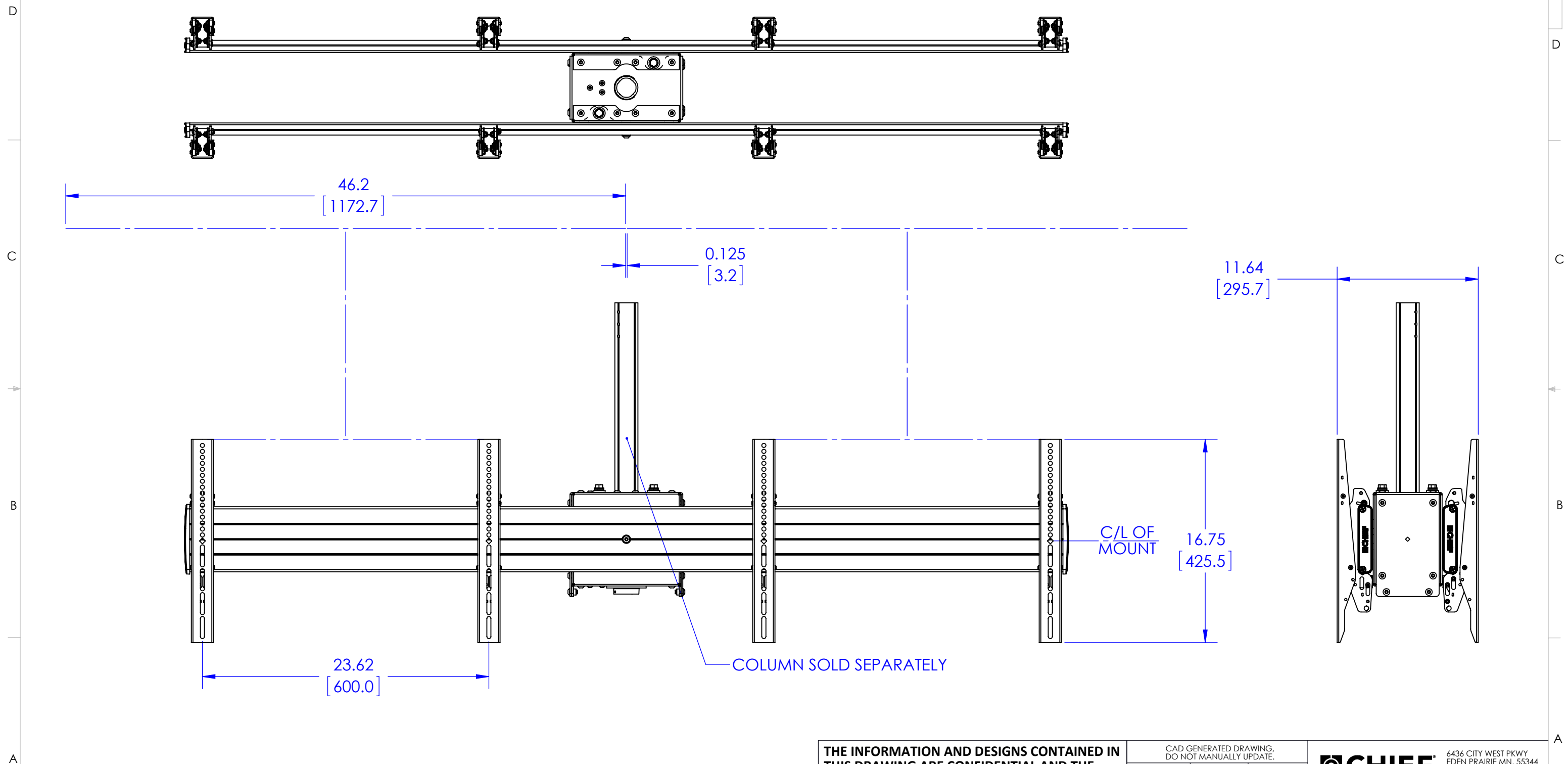
THE INFORMATION AND DESIGNS CONTAINED IN THIS DRAWING ARE CONFIDENTIAL AND THE PROPRIETARY PROPERTY OF MILESTONE AV TECHNOLOGIES NEITHER THIS DESIGN NOR ANY INFORMATION CONTAINED IN THIS DRAWING MAY BE REPRODUCED OR DISCLOSED TO OTHERS WITHOUT THE EXPRESS WRITTEN CONSENT OF MILESTONE AV TECHNOLOGIES.

CAD GENERATED DRAWING, DO NOT MANUALLY UPDATE.			6436 CITY WEST PKWY EDEN PRAIRIE MN, 55344 PHONE: 866-977-3901 FAX: 877-894-6918	
DRAWN BY	JAB	03/11/2013	DESCRIPTION	
ENG APPROVAL			CEILING MOUNT, SINGLE COLUMN, BACK TO BACK, SIDE BY SIDE	
MFG APPROVAL			MODEL NO.	
QA APPROVAL			LCB2X1U	
SHEET 1 OF 5		SCALE 1:12	SIZE B	DWG. NO. TECH-000339
			REV.	00



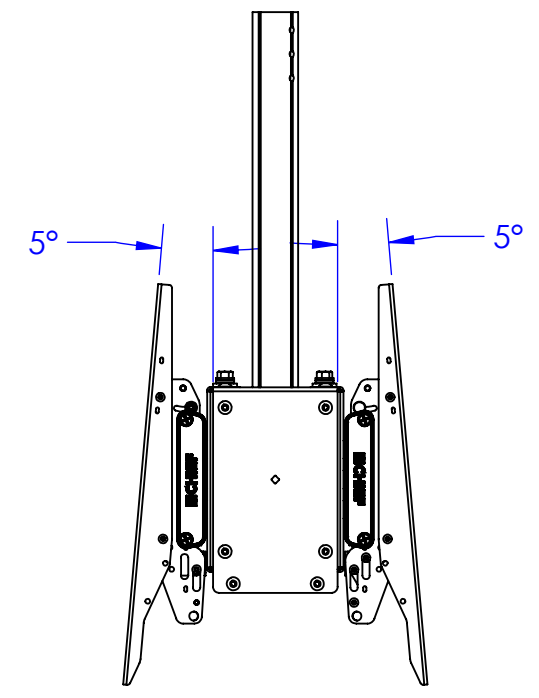
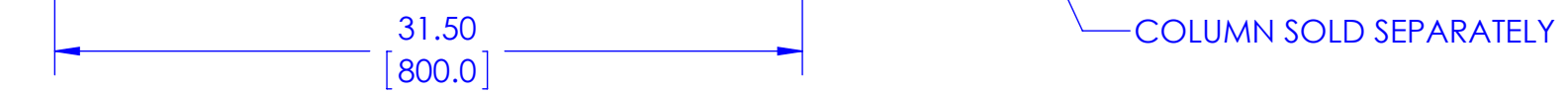
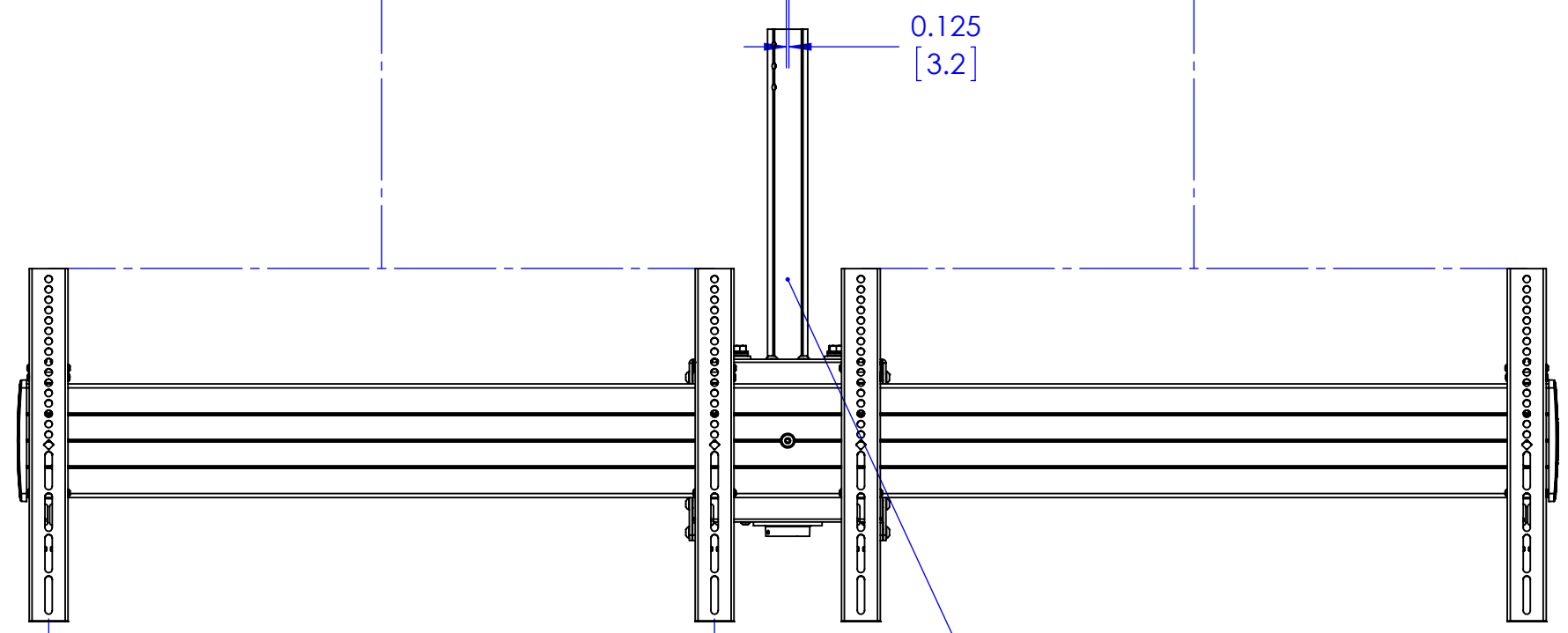
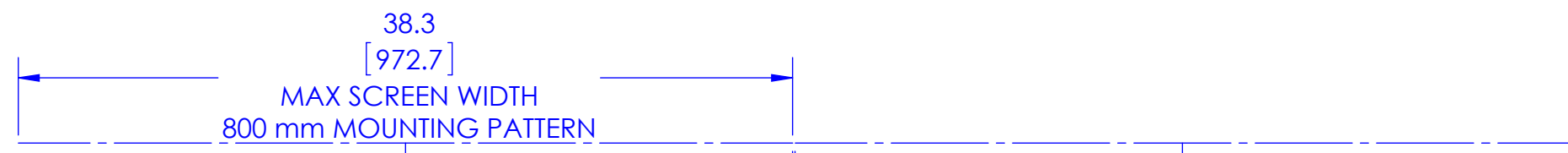
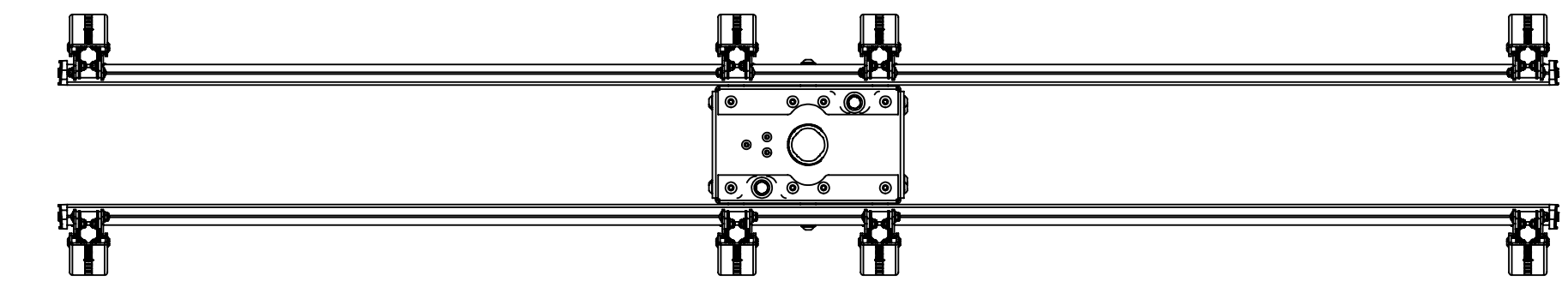
THE INFORMATION AND DESIGNS CONTAINED IN THIS DRAWING ARE CONFIDENTIAL AND THE PROPRIETARY PROPERTY OF MILESTONE AV TECHNOLOGIES NEITHER THIS DESIGN NOR ANY INFORMATION CONTAINED IN THIS DRAWING MAY BE REPRODUCED OR DISCLOSED TO OTHERS WITHOUT THE EXPRESS WRITTEN CONSENT OF MILESTONE AV TECHNOLOGIES.

CAD GENERATED DRAWING, DO NOT MANUALLY UPDATE.			6436 CITY WEST PKWY EDEN PRAIRIE MN, 55344 PHONE: 866-977-3901 FAX: 877-894-6918
DRAWN BY	JAB	03/11/2013	
ENG APPROVAL			DESCRIPTION CEILING MOUNT, SINGLE COLUMN, BACK TO BACK, SIDE BY SIDE
MFG APPROVAL			
QA APPROVAL			MODEL NO. LCB2X1U
SHEET 2 OF 5		SCALE 1:12	SIZE DWG. NO. B TECH-000339
			REV. 00



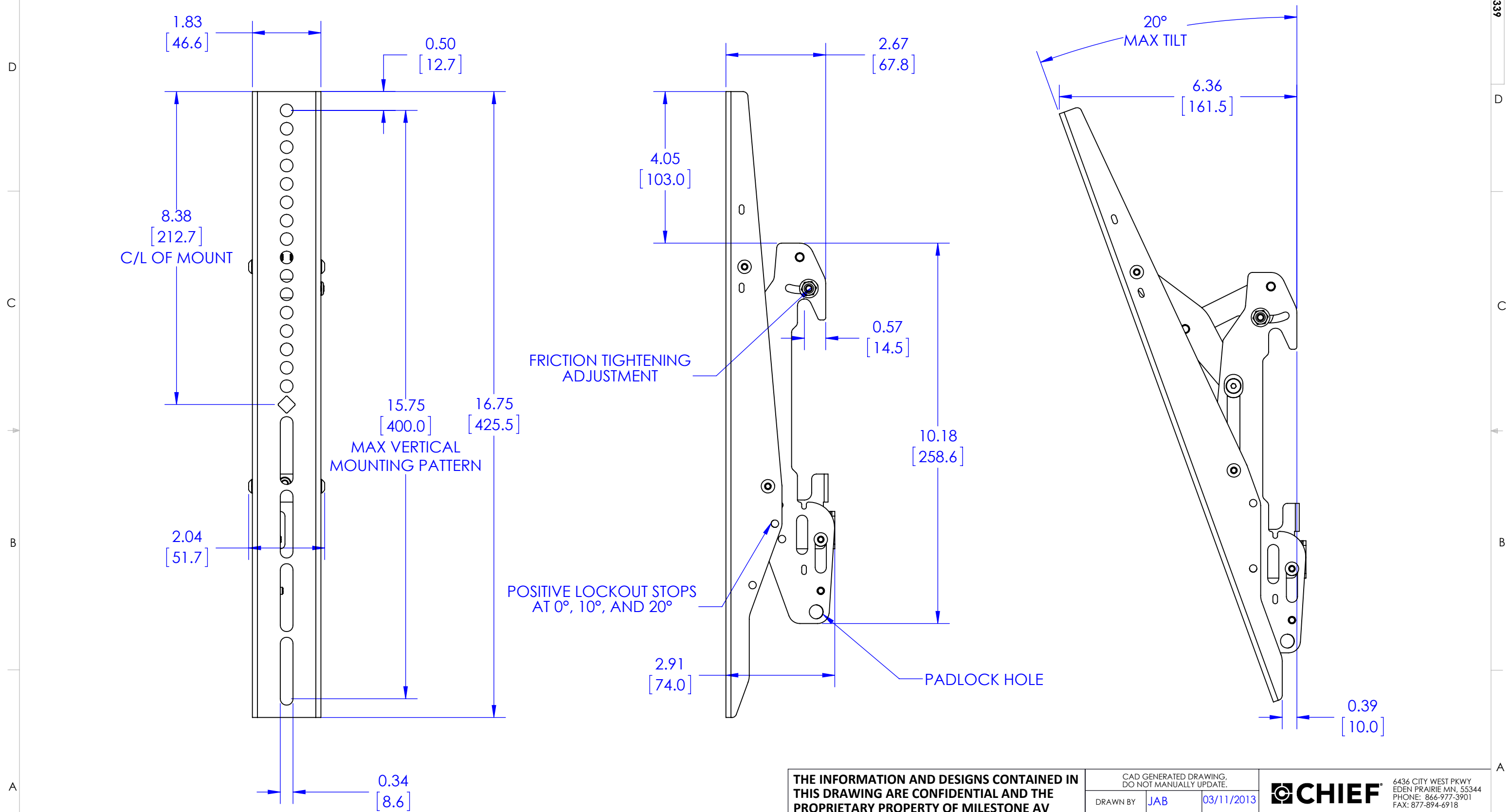
THE INFORMATION AND DESIGNS CONTAINED IN THIS DRAWING ARE CONFIDENTIAL AND THE PROPRIETARY PROPERTY OF MILESTONE AV TECHNOLOGIES NEITHER THIS DESIGN NOR ANY INFORMATION CONTAINED IN THIS DRAWING MAY BE REPRODUCED OR DISCLOSED TO OTHERS WITHOUT THE EXPRESS WRITTEN CONSENT OF MILESTONE AV TECHNOLOGIES.

CAD GENERATED DRAWING, DO NOT MANUALLY UPDATE.				6436 CITY WEST PKWY EDEN PRAIRIE, MN, 55344 PHONE: 866-977-3901 FAX: 877-894-6918	
DRAWN BY	JAB	03/11/2013		DESCRIPTION CEILING MOUNT, SINGLE COLUMN, BACK TO BACK, SIDE BY SIDE	
ENG APPROVAL			MODEL NO. LCB2X1U		
MFG APPROVAL			SIZE	DWG. NO.	REV.
QA APPROVAL			B	TECH-000339	00
SHEET 3 OF 5			SCALE		
			1:12		



THE INFORMATION AND DESIGNS CONTAINED IN THIS DRAWING ARE CONFIDENTIAL AND THE PROPRIETARY PROPERTY OF MILESTONE AV TECHNOLOGIES NEITHER THIS DESIGN NOR ANY INFORMATION CONTAINED IN THIS DRAWING MAY BE REPRODUCED OR DISCLOSED TO OTHERS WITHOUT THE EXPRESS WRITTEN CONSENT OF MILESTONE AV TECHNOLOGIES.

CAD GENERATED DRAWING, DO NOT MANUALLY UPDATE.			6436 CITY WEST PKWY EDEN PRAIRIE MN, 55344 PHONE: 866-977-3901 FAX: 877-894-6918	
DRAWN BY	JAB	03/11/2013	DESCRIPTION	
ENG APPROVAL			CEILING MOUNT, SINGLE COLUMN, BACK TO BACK, SIDE BY SIDE	
MFG APPROVAL			MODEL NO.	
QA APPROVAL			LCB2X1U	
SHEET 4 OF 5		SCALE	SIZE	DWG. NO.
		1:12	B	TECH-000339
				REV. 00



THE INFORMATION AND DESIGNS CONTAINED IN THIS DRAWING ARE CONFIDENTIAL AND THE PROPRIETARY PROPERTY OF MILESTONE AV TECHNOLOGIES NEITHER THIS DESIGN NOR ANY INFORMATION CONTAINED IN THIS DRAWING MAY BE REPRODUCED OR DISCLOSED TO OTHERS WITHOUT THE EXPRESS WRITTEN CONSENT OF MILESTONE AV TECHNOLOGIES.

CAD GENERATED DRAWING, DO NOT MANUALLY UPDATE.			CHIEF 6436 CITY WEST PKWY EDEN PRAIRIE MN, 55344 PHONE: 866-977-3901 FAX: 877-894-6918	
DRAWN BY	JAB	03/11/2013	DESCRIPTION CEILING MOUNT, SINGLE COLUMN, BACK TO BACK, SIDE BY SIDE, INTERFACE	
ENG APPROVAL			MODEL NO. LCB2X1U	
MFG APPROVAL			SIZE DWG. NO. B TECH-000339	
QA APPROVAL			REV. 00	
SHEET 5 OF 5			SCALE 1:4	